

**PALCOVER**

**PALFINGER**

LIFETIME EXCELLENCE

**THE EASIEST TARPING SYSTEM**



# THE PALCOVER ALLOWS EASY, FAST AND SAFETY SHEETING OF CONTAINERS

## 05 HIGHLIGHTS



### THE HIGHEST

The maximum height of 5.5m makes the tarp operation very convenient and limits the risk of collision with overfilled loads. During transport, the PALCOVER sits neatly behind the cab.



### LIFETIME

Tower sliding system with no need for maintenance or greasing. The innovative surface treatment offers excellent corrosion protection.



### SAFETY

All operations are carried out safely from the ground without the need to manipulate heavy or large loads. The external buzzer informs the driver when the PALCOVER is not in transport position.



### DIFFERENT TARPS

The tarp made of polyethersulfone combines flexibility and wear-resistance. Several models exist, with or without flaps, to fit perfectly to your requirements.



### SERVICE ORIENTED DESIGN

All parts are easily accessible. The tarp replacement is quickly done with everyday tools.

## PALCOVER H-M

- Mechanical Roll-in/Roll-out
- External manual control



- Simple use
- Soft and adjustable roll-in spring

## PALCOVER H-E

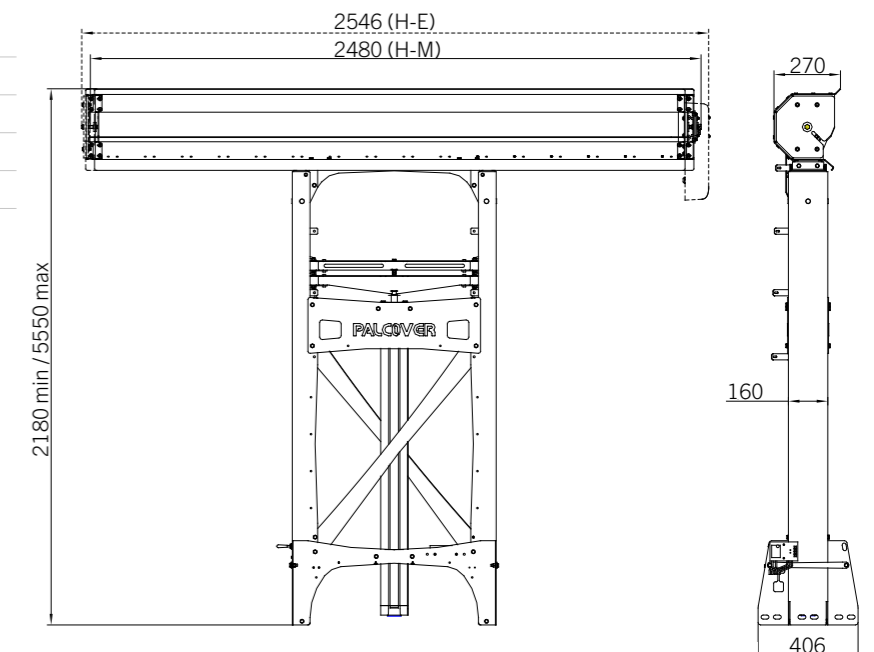
- Electric Roll-In/Roll-out
- Radio Remote Controlled



- Controlled and effortless tarp movement
- Reliable spooling in all conditions

## TECHNICAL DATA

Container length min.	5000 mm
Container length max.	7250 mm
Weight	220 kg
Operation pressure	8 bars
Power supply	24V – 30A



# LIFETIME EXCELLENCE

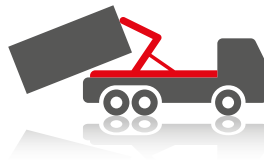
**PALFINGER HOOKLOADERS AND SKIPLOADERS ARE CONVINCING DUE TO THEIR SUPERIOR LIFECYCLE PERFORMANCE. THEY ARE THE MOST ECONOMICAL AND ALSO THE MOST RELIABLE OVER THE ENTIRE PRODUCT LIFE. FROM SOLUTION FINDING TO RESALE.**

**BETTER SOLUTIONS**

**BETTER EFFICIENCY**

**BETTER ERGONOMICS**

**HIGHER VALUE RETENTION**



**HIGHER AVAILABILITY**

**HIGHER SERVICEABILITY**

**BETTER ECOLOGY**

**MORE RELIABILITY**

For further information please visit: [www.palfinger.com/thebrand](http://www.palfinger.com/thebrand)