

**TUNLIFT 7.37-500**

**PALFINGER**

LIFETIME EXCELLENCE

**THE SELF-SUFFICIENT HEIGHT WORKSHOP FOR MAINTENANCE AT A HEIGHT AND TUNNEL INSPECTIONS**



**THE COMPACT HEIGHT WORKSHOP  
COMBINES THE ADVANTAGES OF A  
TRUCK ACCESS PLATFORM WITH THE  
SPACIOUS WORKING PLATFORM OF A  
SCISSOR PLATFORM**





- Platform concept tailored to meet the specific needs of road maintenance staff; e.g. usage in tunnels, under-crossings, bridges, motorways, streets
- There are connections for electricity, water and compressed air in the basket
- Time-saving moving of the platform performed from the platform itself
- Equipped for all maintenance jobs, for servicing and cleaning signs, protective walls and street installations
- Angular, wide, illuminated entry ensures easy access to the platform
- A patented platform concept (swing principle) allows the operator to perform an all-round inspection of the tunnel transversely to the road without having to change position. The maximum height can be reached without rotation or endangering the oncoming traffic
- Standard safety equipment such as holders for safety belts, stop valves on all hydraulic cylinders or an illuminated construction site sign on the rear of the vehicle ensure a high level of employee protection



# PIONEERING HEIGHT ACCESS TECHNOLOGY FOR BUILDING YARDS, ROAD MAINTENANCE STAFF AND QUICK HEIGHT ACCESS

# 8

## HIGHLIGHTS



**MULTIFUNCTIONAL**

Equipped to make maintenance street installations easy



**ERGONOMIC**

Easy access to platform by ergonomic steps



**PATENTED**

A patented platform concept (swing principle)



### ECONOMIC

Self-propelled and truck mounted access platform in one machine



### FEATURE

Platform concept meet the specific needs of road maintenance



### ENERGY

Connections for electricity, water and compressed air



### STANDARD SAFETY DEVICES

- Fasteners for safety belts
- Machine stabilised / active aerial part interlock
- Lock valves on all hydraulic cylinders
- Load limiter
- Thermal protection devices on electrical system
- max. pressure valves on hydraulic system
- Hydraulic manual pump for lowering in the event of failure of the primary system
- Machine closed check during travel
- Control console, walkable platform floor, platform access ladder with lighting activated at machine power-on
- Truck engine start/stop on control console
- Yellow rotating lamps mounted on truck cab
- Adjustable high-intensity lamps installed in the platform to light up work areas
- "Mobile worksite" sign affixed to the rear of the machine and equipped with four flashing amber lights - PTO engaged signal lamp

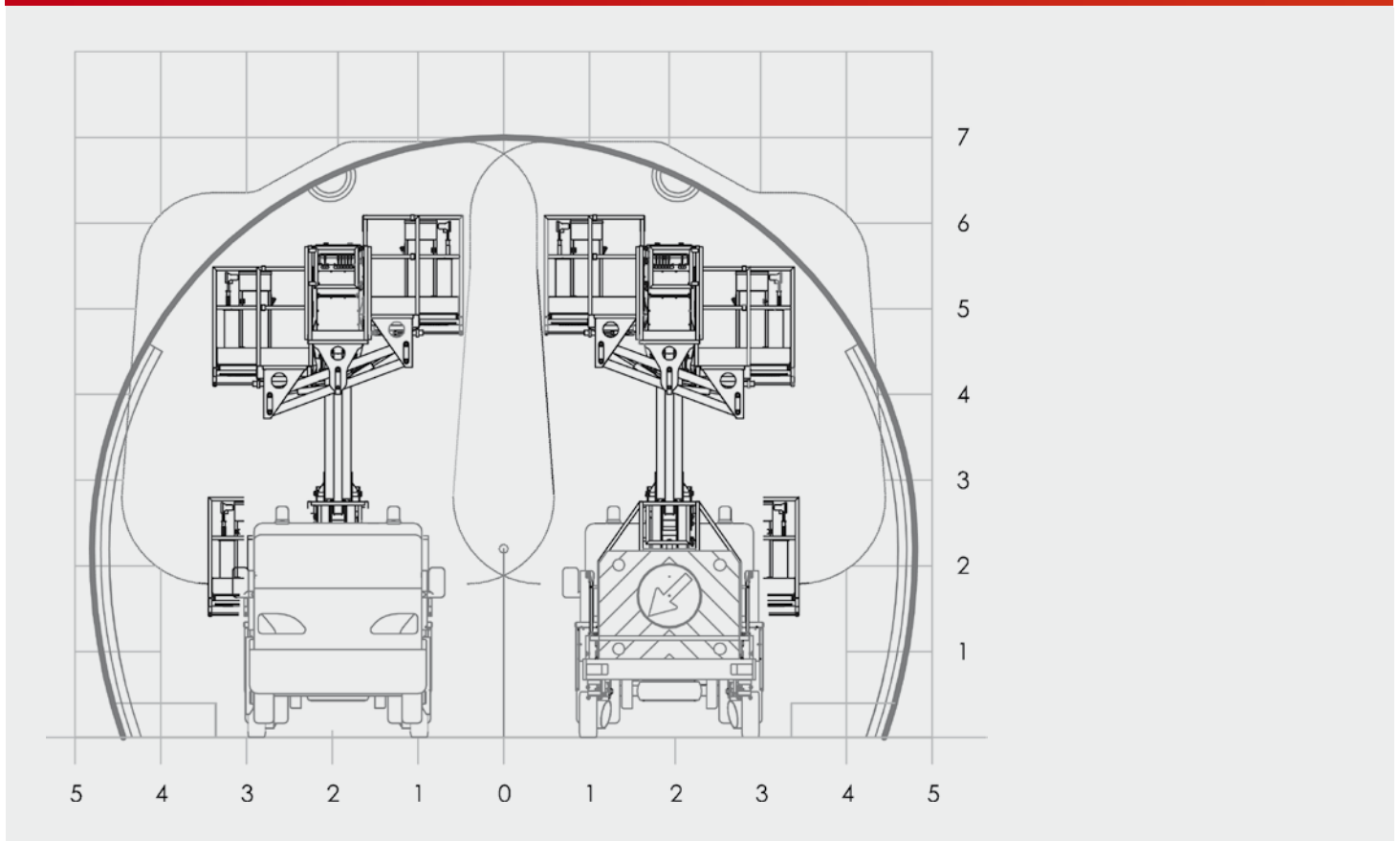


### OPTIONAL PARTS AND ACCESSORIES

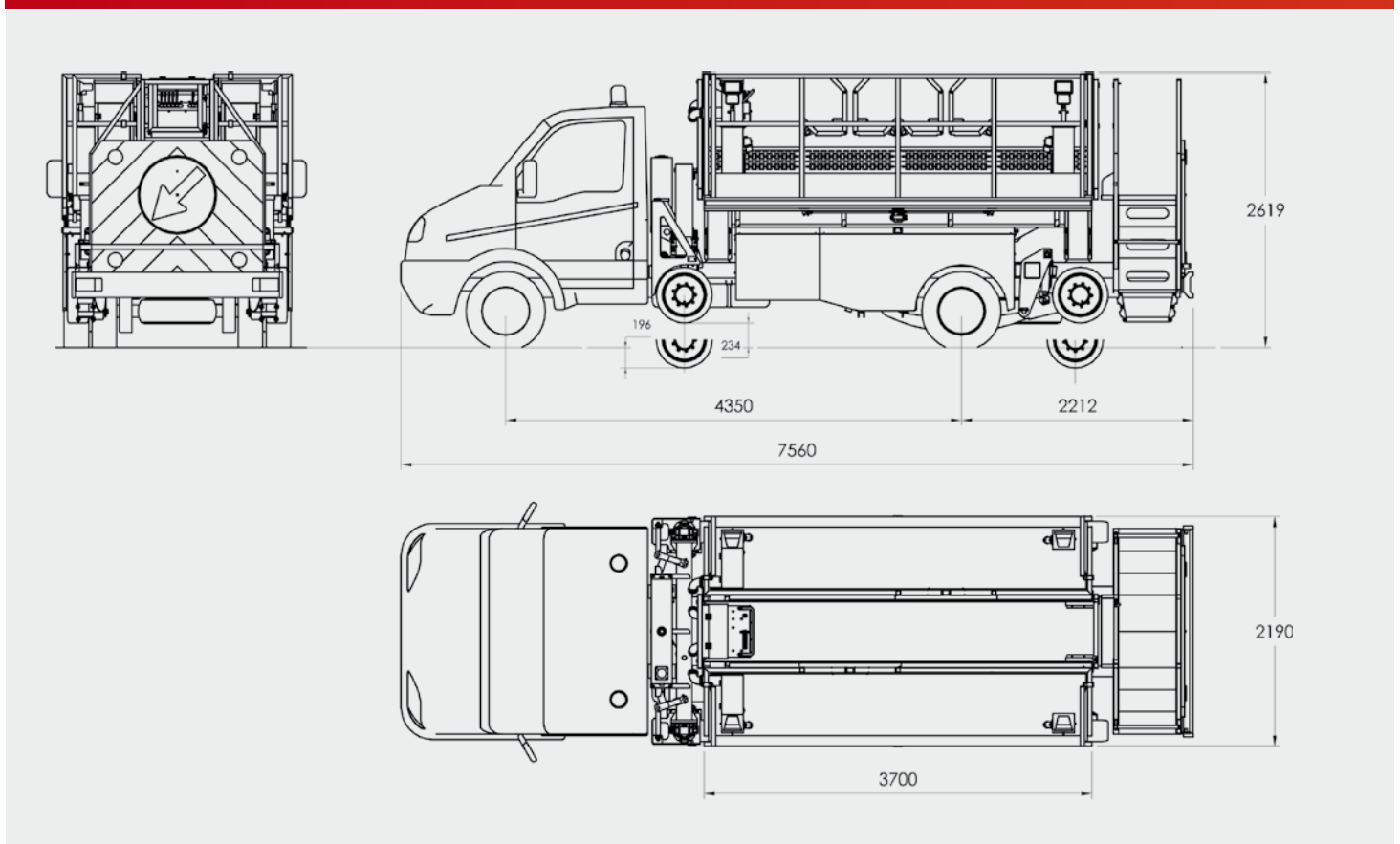
- Outriggers fitted with hydraulically powered, steering wheels which can be activated from the platform console in self-propelled mode
- "Tunnel inspection" platform with differentiation system between the various levels of platform operation to ensure the platform's operating curve coincides perfectly with the tunnel ceiling
- 230 V - 5 kW generator set, activatable from the console platform
- Professional 10 bar air compressor with storage tank activatable from the platform
- 200 bar high-pressure water jet with incorporated water storage tank (900 litres)
- 230 V 2.2 kW electric motor for machine operation only

# PERFECT DIMENSIONS

## WORK DIAGRAM WITH TUNNEL INSPECTION PLATFORM INSTALLED



## TUNLIFT 7.37-500 IVECO



## TECHNICAL SPECIFICATIONS

max. working height	7 m
Platform lateral extension	1 m Right + 1 m Left
Load capacity	500 kg (3 operators + 260 kg tools)
Platform dimensions	2180/3000 x 3700 mm
Controls	Electro-hydraulic
Stabilization	4 outriggers with vertical descent



# LIFETIME EXCELLENCE

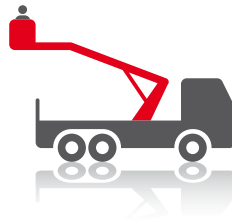
THE RESULT IS **PALFINGER ACCESS PLATFORMS** FEATURING THE MOST STATE-OF-THE-ART HEIGHT TECHNOLOGY THAT ACHIEVE ABSOLUTE PEAK PERFORMANCES, EVEN WHEN CONFRONTED WITH THE MOST DIFFICULT OF JOBS IN PRACTICE. **DEVELOPED FOR THE GLOBAL MARKET, DESIGNED FOR THE FUTURE.**

BETTER  
SOLUTIONS

BETTER  
EFFICIENCY

BETTER  
ERGONOMICS

HIGHER VALUE  
RETENTION



HIGHER  
AVAILABILITY

HIGHER  
SERVICEABILITY

BETTER  
ECOLOGY

MORE  
RELIABILITY

For further information please visit: [www.palfinger.com/thebrand](http://www.palfinger.com/thebrand)